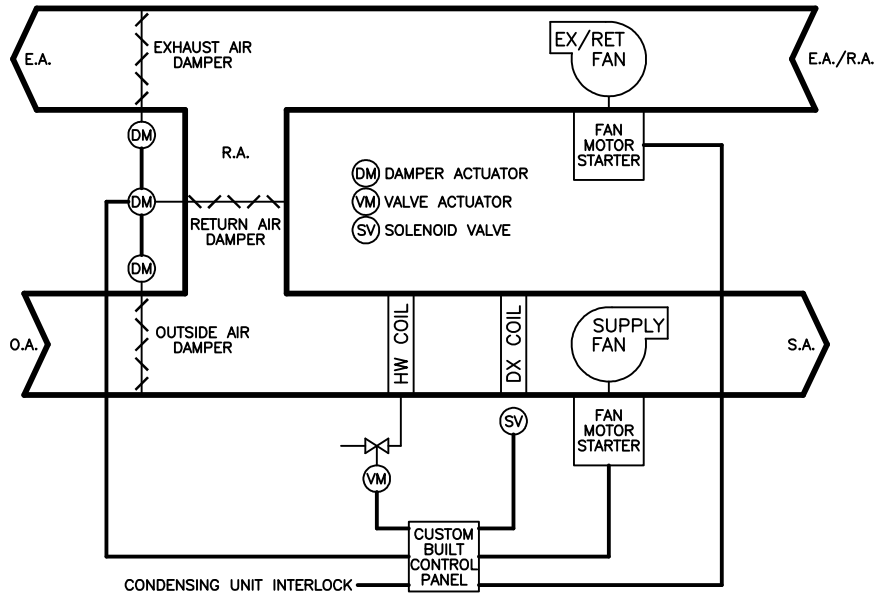


*Figure 11.3* Built up air handler showing some of the various sensors and controllers that the air handler can be equipped with, all wired back to a common control panel. Control panel houses the main controller, as well as other devices.



*Figure 11.4* Built up air handler showing required end devices for a typical application.